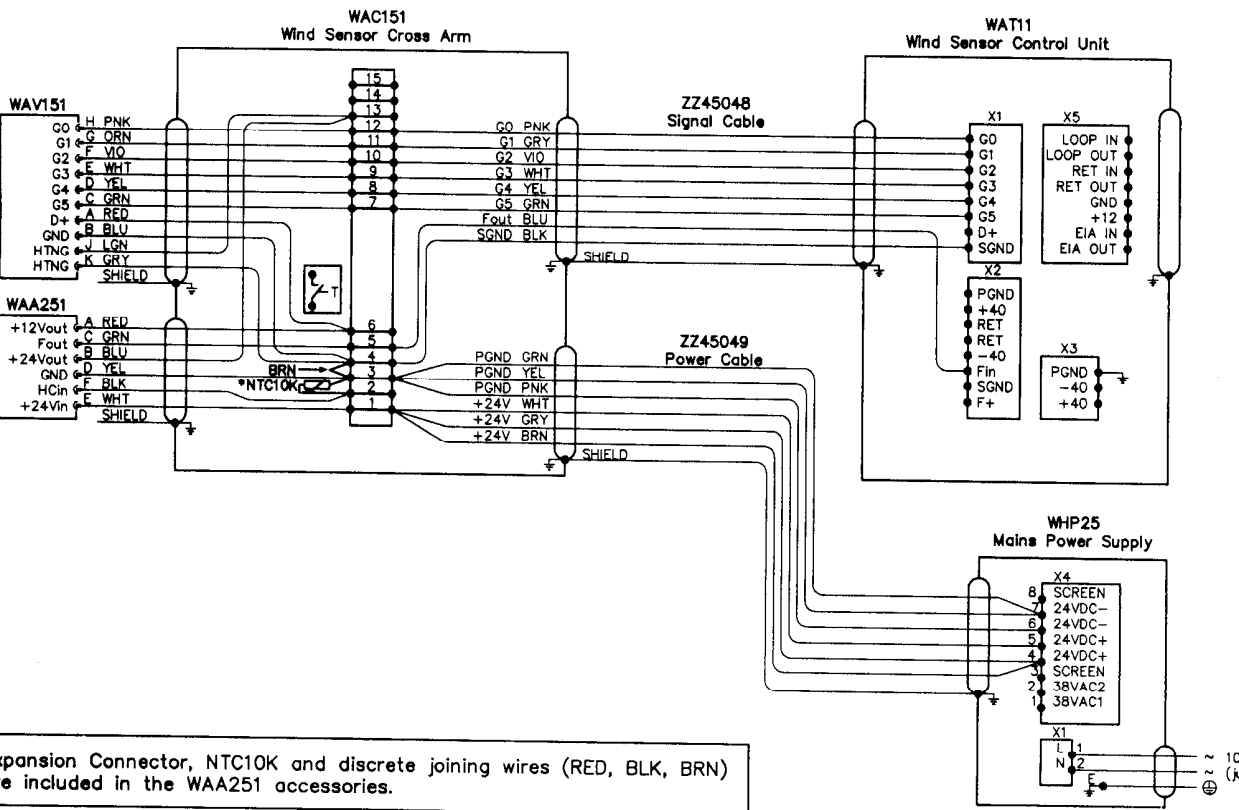
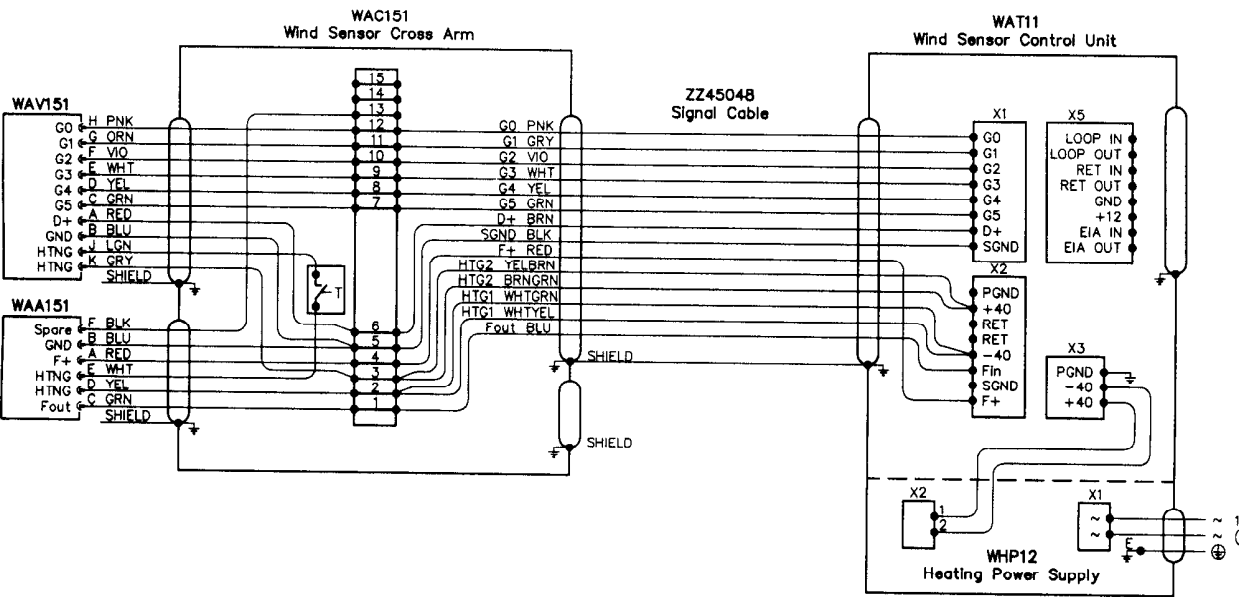
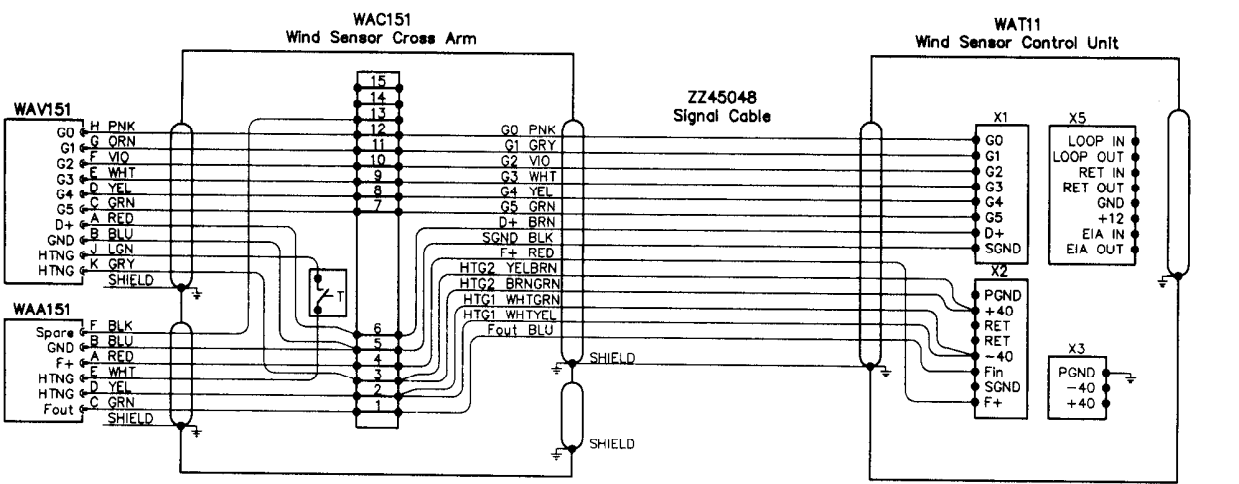
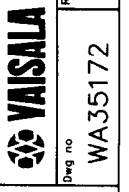


Date Appr	
Date Review	
Design	
Reason / ECO no	
Change	
Qty	
Ltr	D



*) Expansion Connector, NTC10K and discrete joining wires (RED, BLK, BRN) are included in the WAA251 accessories.

Cooperator's doc no	
Sheet	1/1
Serial no	
Arch Id	D
Title	WAT11 WIND SENSOR CONTROL UNIT
Drawn	960513 SEM
Review	96-09-27 XZA
Appr	960517 PPT
Design	SEM
Replaces	
Replaced by	
Scale	1:1



WAT11 WIND SENSOR CONTROL UNIT
BASIC WIRING OPTIONS

Rev A
Doc no WA35172

Work order	
Qty	
Tool	
pcs	