



RFL100 Wireless Data Logger for Continuous Monitoring Systems



Features

- Industry-leading temperature and relative humidity measurement precision
- Detachable high-accuracy RH and temperature probes
- 30-day First In First Out (FIFO) memory buffer
- Optional magnetic mounting bracket available
- Typical battery life of 18 months
- Uses standard alkaline batteries
- Traceable to SI units through national metrology institutes ¹⁾
- Cost-effective alternative to chart recorders

¹⁾ Measurement results are traceable to the International System of Units (SI) through national metrology institutes (NIST USA, MIKES Finland, or an equivalent) or accredited calibration laboratories.

RFL100 Data Logger uses Vaisala's proprietary VaiNet wireless technology. It can be used to monitor temperature and humidity in a wide range of environments: warehouses, production areas, cleanrooms, laboratories, fridges, cold storage areas, and freezers down to -196 °C (-320.8 °F).

VaiNet Wireless

RFL100 connects wirelessly to Vaisala viewLinc Monitoring System, which provides real-time trends, alarms, and historical reporting. VaiNet wireless technology is based on the LoRa[®] modulation technique to provide a robust wireless signal that is extremely reliable over long distances and in complex, obstructed conditions. This wireless technology allows the data logger's signal to travel over 100 m (328 ft) indoors without the aid of signal amplifiers or repeaters. Wireless communications are encrypted to ensure data integrity and security.

Measurements are updated and stored every 60 seconds, and sent from the data logger every four minutes. In case of temporary network disruptions, the data logger can record up to 30 days of

measurements that are automatically transmitted to the viewLinc Enterprise Server software when communications are restored. Recorded data can also be downloaded directly from RFL100 through the USB port.

Versatility and Convenience

RFL100 requires no startup configuration, and the included mounting bracket supports several installation methods. Detailed custom display shows the latest measurement results, alarm and battery status, and signal strength of the current access point connection. The housing is classified IP54 to protect the device from dust and cleaning.

RFL100 is powered by two standard AA size 1.5 V batteries (LR6 alkaline or FR6 lithium) for 18 months of operation at approximately 20 °C (68 °F). There is no need for costly battery replacements between recommended calibrations.

Detachable Probe

RFL100 supports several probe types for humidity and temperature measurement. The probes use Vaisala HUMICAP[®] humidity sensors and platinum temperature sensors (Pt100 and Pt1000 type) for superior stability. Probes can be integrated with the RFL100 housing or connected using a cable.

The probe is detachable, and easy to switch out for calibration. viewLinc Enterprise Server detects the changed probe information automatically and maintains accurate and complete historical records.

Probe Options

HMP110 Probe

Robust stainless steel probe for humidity and temperature measurement in demanding conditions. Suitable for measurement inside chambers, fridges, and freezers. Cable probe option only.

Versatile mounting options using accessories. Flat cable accessory allows insertion inside chambers and freezers via door seal.

Plastic grid filter provides the fastest response time. For added sensor protection, select the membrane filter, the PTFE filter, or the stainless steel sintered filter.

HMP115 Probe

Probe for general purpose humidity and temperature measurement. Ideal choice for ambient measurement. Designed to be integrated with RFL100 housing for minimum footprint, but can be connected using a cable as well.

Plastic grid filter provides the fastest response time. For added sensor protection, select the membrane filter or the PTFE filter.

TMP115 Probe

Wide-range temperature-only probe for measurement in extreme conditions. Can be integrated with the RFL100 housing or connected using a cable. Available as 50 cm (1 ft 7.7 in) and 3 m (9.8 ft) long versions.

Sensor tip withstands immersion in glycol and liquid nitrogen. Insert the sensor tip into the thermal dampener block accessory for added thermal mass.

Probe Model	Measurement	Measurement Temperature Range	Mounting
HMP110	RH + T	-40 ... +80 °C (-40 ... +176 °F)	Cable probe only
HMP110T	T	-40 ... +80 °C (-40 ... +176 °F)	Cable probe only
HMP115	RH + T	-40 ... +60 °C (-40 ... +140 °F)	Integrated or cable probe
HMP115T	T	-40 ... +60 °C (-40 ... +140 °F)	Integrated or cable probe
TMP115	T	-196 ... +90 °C (-320.8 ... +194 °F) ¹⁾	Integrated or cable probe

1) Operating temperature range of the probe body is -40 ... +60 °C (-40 ... +140 °F).

Accessories

Accessory	Item Code	HMP110/T	HMP115/T	TMP115
Probe cable for RFL100, 3 m	CBL210555-3MSP	✓	✓	✓
Probe cable for RFL100, 10 m	CBL210555-10MSP	✓	✓	✓
Flat cable for RFL100, 3 m	CBL210647SP	✓	✓	✓
Mounting nuts (2 pcs), hex M12 × 1 Pa 6.6	18350SP	✓		
Probe mounting clamps, heavy duty (10 pcs)	226067	✓	✓	✓
Duct installation kit	215619	✓		
Thermal dampener block for 3/16" probes (4.8 mm)	236310SP			✓



HMP110 Probe



HMP115 Probe



TMP115 Probe

Technical Data

Wireless

Networking standards	Vaisala VaiNet
Modulation	LoRa™ chirp spread spectrum modulation
Output power	14 dBm (25 mW)
Antenna	Internal
Typical range (indoors)	At least 100 m (328 ft)
Range with line-of-sight	Over 500 m (1640 ft)
Frequency bands	868 MHz (Europe and Singapore) 915 MHz (North America, China, Australia, and New Zealand)
Safety	
Electrical safety	EN/UL/IEC 61010-1
RF exposure	KDB 447498 (United States) RSS-102 Issue 5 (Canada)
EMC and Radio Standards	
EMC compliance	EN/IEC 61326-1, industrial environment
868 MHz model	ETSI EN 300 220-2 EN 301 489-1 EN 301 489-3
915 MHz model	FCC title 47 part 15.247 (FCC ID: 2A039-RFL100A) ICE RSS-247 (IC: 23830-RFL100A) AS/NZS 4268

Memory

Sample capacity	30 days (43200 samples per channel)
Memory type	Non-volatile EEPROM
Memory mode	Ring buffer (FIFO)
Sampling rate	One sample / channel / minute (non-changeable)

Operating Environment

Storage temperature	-40 ... +60 °C (-40 ... +140 °F)
Operating humidity	0 ... 100 %RH, non-condensing
Operating Temperature ¹⁾	
with alkaline batteries	+2 ... +60 °C (+35.6 ... +140 °F)
with lithium batteries	-20 ... +60 °C (-4 ... +140 °F)

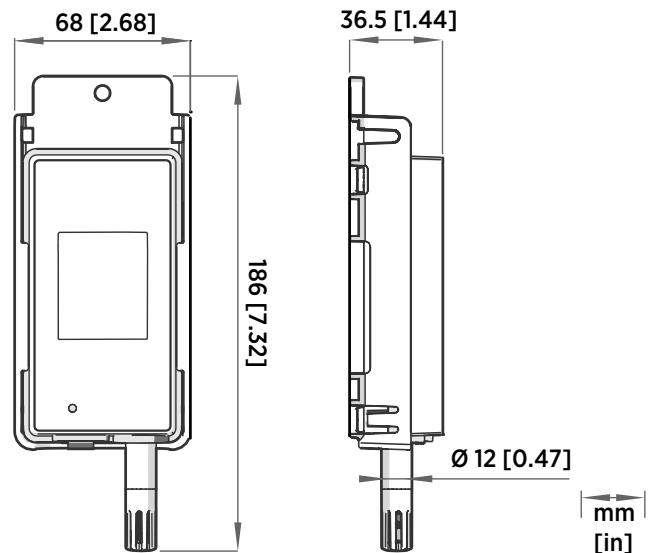
¹⁾ For both alkaline and lithium, battery temperature operating specifications apply.

General

Compatible probes	HMP110, HMP110T, HMP115, HMP115T, TMP115
Compatible viewLinc versions	5.0 and above
Batteries	2 × AA sized, 1.5 V (LR6 or FR6)
Clock battery	CR 1/3N (3 V lithium button cell)
Operation time at 20 °C (68 °F) without external power supply	18 months
Internal clock accuracy	±30 s/month Synchronizes with Network Time Protocol (NTP) server

Mechanical Specifications

Housing color	White
Mounting methods	Screws, tie-wrap, hook, or magnetic mounting bracket (optional accessory)
Probe interface	4-pin female M8 connector
Service port	USB 2.0 with Micro-USB connector
IP rating	IP54
Dimensions (H × W × D) with HMP115 Probe	
Without mounting bracket	158 × 62 × 31 mm (6.22 × 2.4 × 1.22 in)
With mounting bracket	186 × 68 × 36.5 mm (7.32 × 2.68 × 1.44 in)
Weight	
With batteries (2 pcs alkaline), HMP115 probe, and magnetic mounting bracket	254 g (8.96 oz)
Materials	
Housing	PC/ABS blend
Display window	PMMA (acrylic)
Sealings	TPE



RFL100 Dimensions with HMP115 Probe

HMP110/T Probe Measurement Performance

Relative Humidity

Measurement range 0 ... 100 %RH

Accuracy in Temperature Range 0 ... +40 °C (+32 ... +104 °F) ¹⁾

0 ... 90 %RH ±1.5 %RH
90 ... 100 %RH ±2.5 %RH

Accuracy in Temperature Range -40 ... 0 °C, +40 ... +80 °C (-40 ... +32 °F, +104 ... +176 °F) ¹⁾

0 ... 90 %RH ±3.0 %RH
90 ... 100 %RH ±4.0 %RH

Factory Calibration Uncertainty at +20 °C (68 °F) ²⁾

0 ... 90 %RH ±1.1 %RH
90 ... 100 %RH ±1.8 %RH

Humidity sensor Vaisala HUMICAP® 180R

Stability ±2 %RH over 2 years

Temperature

Measurement range -40 ... +80 °C (-40 °F ... +176 °F)

Accuracy over Temperature Range

at 0 ... +40 °C (+32 °F ... +104 °F) ± 0.2 °C (0.36 °F)

at -40 ... 0 °C, +40 ... +80 °C (-40 ... +32 °F, +104 ... +176 °F) ± 0.4 °C (0.72 °F)

Factory calibration uncertainty ²⁾ ± 0.2 °C (0.36 °F)

Temperature sensor Pt1000 RTD Class F0.1 IEC 60751

¹⁾ Includes non-linearity, hysteresis, and repeatability.

²⁾ Small variations possible; see also calibration certificate.

HMP115/T Probe Measurement Performance

Relative Humidity

Measurement range 0 ... 100 %RH

Accuracy in Temperature Range 0 ... +40 °C (+32 ... +104 °F) ¹⁾

0 ... 90 %RH ±1.5 %RH
90 ... 100 %RH ±2.5 %RH

Accuracy in Temperature Range -40 ... 0 °C, +40 ... +60 °C (-40 ... +32 °F, +104 ... +140 °F) ¹⁾

0 ... 90 %RH ±3.0 %RH
90 ... 100 %RH ±4.0 %RH

Factory Calibration Uncertainty at +20 °C (68 °F) ²⁾

0 ... 40 %RH ±0.6 %RH
40 ... 75 %RH ±1.0 %RH

Humidity sensor Vaisala HUMICAP® 180R

Stability ±2 %RH over 2 years

Temperature

Measurement range -40 ... +60 °C (-40 °F ... +140 °F)

Accuracy over Temperature Range

at 0 ... +40 °C (+32 ... +104 °F) ± 0.2 °C (0.36 °F)

at -40 ... 0 °C, +40 ... +60 °C (-40 ... +32 °F, +104 ... +140 °F) ± 0.4 °C (0.72 °F)

Factory calibration uncertainty ²⁾ ± 0.1 °C (0.18 °F)

Temperature sensor Pt1000 RTD Class F0.1 IEC 60751

¹⁾ Includes non-linearity, hysteresis, and repeatability.

²⁾ Small variations possible; see also calibration certificate.

TMP115 Probe Measurement Performance

Temperature

Measurement range -196 ... +90 °C (-320.8 ... +194 °F)

Accuracy over Temperature Range ¹⁾

at -196 ... -90 °C (-320.8 ... -130 °F) ± 2.5 °C (4.5 °F)

at -90 ... -30 °C (-130 ... -22 °F) ± 0.75 °C (1.35 °F)

at -30 ... 0 °C (-22 ... +32 °F) ± 0.5 °C (0.9 °F)

at 0 ... +50 °C (+32 ... +122 °F) ± 0.25 °C (0.45 °F)

at +50 ... +90 °C (+122 ... +194 °F) ± 0.75 °C (1.35 °F)

Factory calibration uncertainty ²⁾ ± 0.08 °C (0.128 °F)

Temperature sensor Pt100 RTD Class A IEC 751

¹⁾ Includes non-linearity, hysteresis, and repeatability.

²⁾ Small variations possible; see also calibration certificate.

TMP115 Probe Mechanical Specifications

IP rating IP67 for sensor tip
IP65 for probe body

Materials

Probe body PC/ABS blend

Cable FEP

Sensor tip Stainless steel (AISI 316)

Dimensions

Probe length including cable and sensor tip 0.5 m (1 ft 7.7 in) or 3 m (9 ft 10.1 in)

Probe body diameter 14 mm (0.55 in)

Sensor tip length 50.8 mm (2 in)

Sensor tip diameter 4.76 mm (0.19 in)

HMP110 Probe Mechanical Specifications

IP rating IP65

Body thread M12x1 / 10 mm (0.4 in)

Diameter 12 mm (0.47 in)

Length 78 mm (3.07 in)

Materials

Probe body Stainless steel (AISI 316)

Grid filter Chrome coated ABS plastic

HMP115/T Probe Mechanical Specifications

IP rating IP54

Diameter 14 mm (0.55 in)

Length 79 mm (3.11 in)

Materials

Probe body PC/ABS blend

Grid filter PC (glass reinforced)

Sleeve PC/ABS blend



VAISALA

www.vaisala.com

Published by Vaisala | B211595EN-E © Vaisala 2019

All rights reserved. Any logos and/or product names are trademarks of Vaisala or its individual partners. Any reproduction, transfer, distribution or storage of information contained in this document is strictly prohibited. All specifications — technical included — are subject to change without notice.