

# Quick Guide

## Mounting Accessory HPP271MOUNTINGSET2 / HPP272MOUNTINGSET2

### Through-Wall Installation Kit for HPP271 and HPP272

The optional through-wall installation kits for HPP271 (HPP271MOUNTINGSET2) and HPP272 (HPP272MOUNTINGSET2) allow installing the Vaisala HPP270 series H<sub>2</sub>O<sub>2</sub> probes into the monitored process through the process wall.



The figure below shows an example installation for HPP272. The HPP271 installation kit is otherwise the same, but does not include the HPP272-specific temperature probe lead-through. The figure includes the flange drilling dimensions.

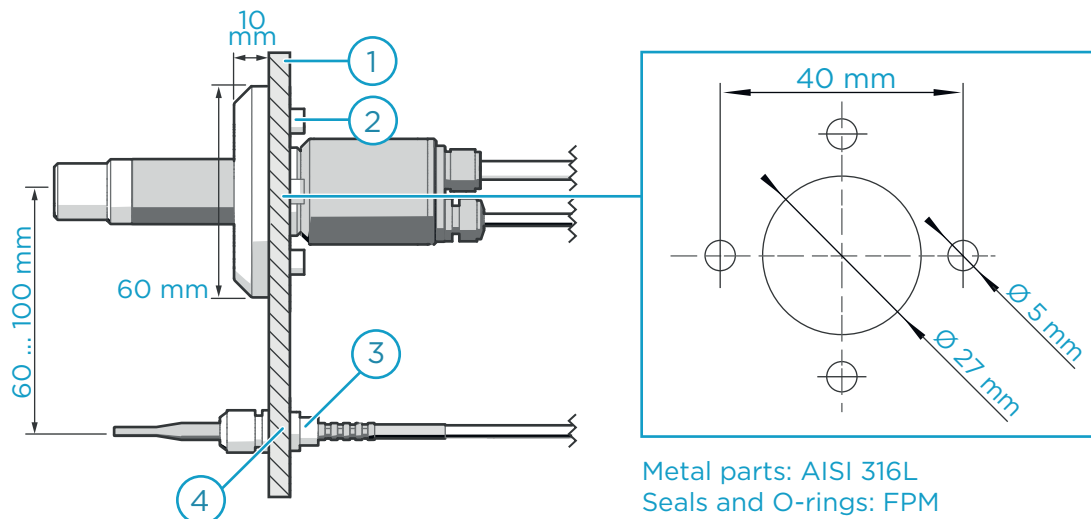


Figure 1 Through-Wall Installation Example for HPP272

- 1 Maximum wall thickness: 4 mm (0.16 in)
- 2 Screws for tightening the flange in place (4 pcs, Ø 5 mm (0.19 in))
- 3 Nut for mounting the temperature probe gland (HPP272 only)
- 4 Temperature probe gland diameter: 8 mm (0.31 in) (HPP272 only)



Seal the lead-throughs on the metal body of the probes.



HPP272 only: Install the main probe body and the temperature probe 60 ... 100 mm (2.36 ... 3.93 in) apart from each other. The temperature probe must be far enough to prevent heat from the main probe body from affecting the temperature measurement, but close enough so that the two probes measure the same environment. When installing the probes horizontally, place the temperature probe downstream of the warmed main probe body.



# HPP271MOUNTINGSET2/HPP272MOUNTINGSET2 Dimensions

Figure 2 (page 2) shows the dimensions of the flange through-wall installation accessory HPP271MOUNTINGSET2/HPP272MOUNTINGSET2 in millimeters and [inches].

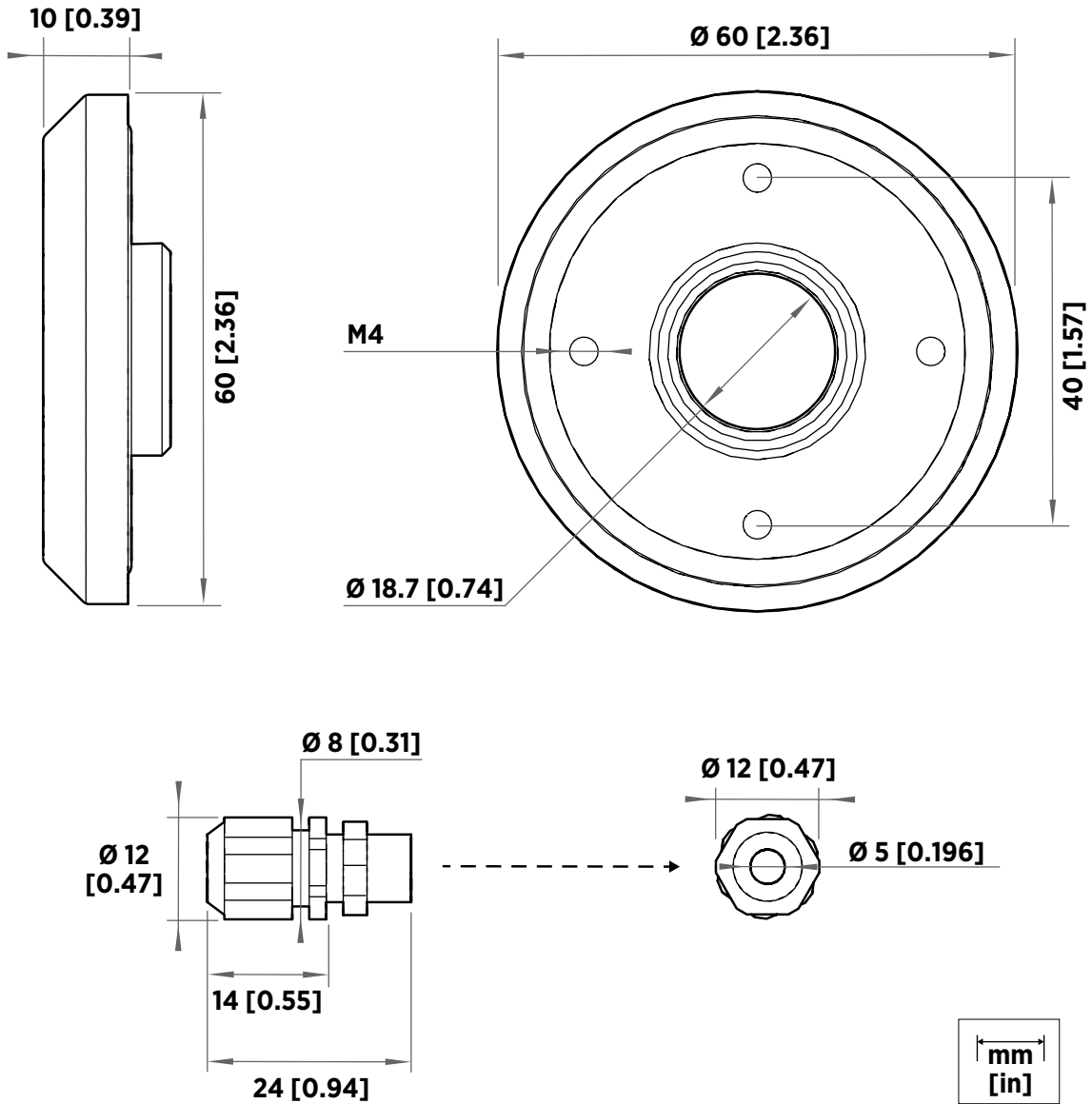


Figure 2 HPP271MOUNTINGSET2/HPP272MOUNTINGSET2 Dimensions