



# GMW80 Series Carbon Dioxide, Humidity and Temperature Transmitters for DCV



## Features

- Superior stability due to 2nd-generation proprietary CARBOCAP® technology
- Improved accuracy due to low self-heating of microglow light source

Vaisala CARBOCAP® Carbon Dioxide, Humidity and Temperature Transmitter Series GMW80 is based on 2nd-generation technology for improved reliability and stability.

GMW80 series transmitters are designed to fulfill the needs for CO<sub>2</sub> measurements in standard demand-controlled ventilation applications. Temperature measurement is always included in the GMW80 series transmitters. Combined with humidity measurement, relay, and LED CO<sub>2</sub> level indication, GMW80 series provides you the flexibility needed for a variety of projects.

The CARBOCAP sensors measure CO<sub>2</sub> accurately immediately when powered on. As they have a built-in reference measurement they do not need a lengthy learning phase before the measured values are correct. Proper operation can be verified immediately after snapping on the device cover.

### Easy Installation

With modern buildings often having hundreds of sensors, installation time per unit can be a significant cost factor. Returning to the building site to check sensor operation adds further costs.

The GMW80 series transmitters include a number of subtle design features that have been introduced to make installation and commissioning quick and easy.

The pull-out tab makes opening the transmitter faster than before, while also doubling as a quality check slip and holder for the anti-tamper screw. The backplate can be twisted onto pre-mounted screws, and the wiring can be done easily on the clearly marked backplate. The electronics can be snapped on later when the building automation system is commissioned.

For measurements in more demanding conditions (for example, dusty or humid installation locations), the GMW88 model provides an IP64-rated enclosure with a cable gland.

### Reliable Operation

The GMW80 series transmitters are optimized for low maintenance. The 2nd-generation, low-power CARBOCAP technology enables a longer lifetime and superior stability than ever before. As the power consumption is low, the heat generated by the electronics does not distort the temperature inside the sensor. The internal reference in the CO<sub>2</sub> sensor guarantees the best stability and operation even in constantly occupied buildings without frequent readjustments.

The reliable operation and accurate measurement values of the GMW80 series transmitters contribute to the significant cost savings brought by demand-controlled ventilation.

## Benefits

- Cost-efficient, affordable
- Reliable and maintenance-free operation for up to 15 years
- Easy to install, easy to use
- Versatile – works well in buildings occupied 24/7
- Ideal for demand-controlled ventilation

# Technical Data

## Models

GMW86P	CO <sub>2</sub>	CO <sub>2</sub> current and voltage output, Pt1000
GMW83RP <sup>1)</sup>	CO <sub>2</sub> +RH+T	Voltage outputs, Pt1000
GMW83DRP <sup>1)</sup>	CO <sub>2</sub> +RH+T	Voltage outputs, Pt1000, Display
GMW83	CO <sub>2</sub>	Voltage outputs
GMW83A	CO <sub>2</sub>	Voltage outputs, CO <sub>2</sub> indicator LEDs
GMW83D	CO <sub>2</sub>	Voltage outputs, Display
GMW84	CO <sub>2</sub>	CO <sub>2</sub> current output
GMW84S	CO <sub>2</sub>	CO <sub>2</sub> current output, Relay
GMW88	CO <sub>2</sub>	CO <sub>2</sub> current output

<sup>1)</sup> Models with calibration certificate available (GMW83RPC/GMW83DRPC)

## Measurement Performance

### Carbon Dioxide

Measurement range	0 ... 2000 ppm
Accuracy across temperature range	
+20 ... +30 °C (+68 ... +86 °F)	±(30 ppm +3 % of reading)
+10 ... +20 °C (+50 ... +68 °F), +30 ... +40 °C (+86 ... +104 °F)	±(35 ppm +3.7 % of reading)
+0 ... +10 °C (+32 ... +50 °F), +40 ... +50 °C (+104 ... +122 °F)	±(40 ppm +4.8 % of reading)
Stability in typical HVAC applications	±(15 ppm + 2 % of reading) over five years
Warm-up time	1 min 10 min for full specification
Response time (63 %)	60 s GMW88 model: 7 min
Carbon dioxide sensor	Vaisala CARBOCAP® GM10

### Temperature

Measurement range	0 ... +50 °C (+32 ... +122 °F)
Temperature sensor	On P models: Pt1000 RTD Class F0.15 IEC 60751 For analog outputs: Digital temperature sensor
Accuracy (GMW83, GMW84)	
+10 ... +30 °C (+50 ... +86 °F)	±0.5 °C (0.9 °F)
+0 ... +10 °C (+32 ... +50 °F), +30 ... 50 °C (+86 ... +122 °F)	±1 °C (1.8 °F)
<b>Humidity</b>	
Measurement range	0 ... 95 %RH
Accuracy for temperature range +10 ... +30 °C (+50 ... +86 °F)	
0 ... 80 %RH	±3 %RH
80 ... 95 %RH	±5 %RH
Accuracy for temperature ranges 0 ... +10 °C (+32 ... +50 °F), +30 ... +50 °C (+86 ... +122 °F)	
0 ... 95 %RH	±7 %RH
Stability in typical HVAC applications	±2 %RH over 2 years
Product lifetime	> 15 years

## Operating Environment

Operating temperature	0 ... +50 °C (+32 ... +122 °F)
Operating humidity	0 ... 95 %RH Dewpoint < 30 °C (+86 °F)
Storage temperature	Models without display: -40 ... +70 °C (-40 ... +158 °F) Models with display: -30 ... +70 °C (-22 ... +158 °F)
EMC compliance	EN61326-1, Industrial environment

## Inputs and Outputs

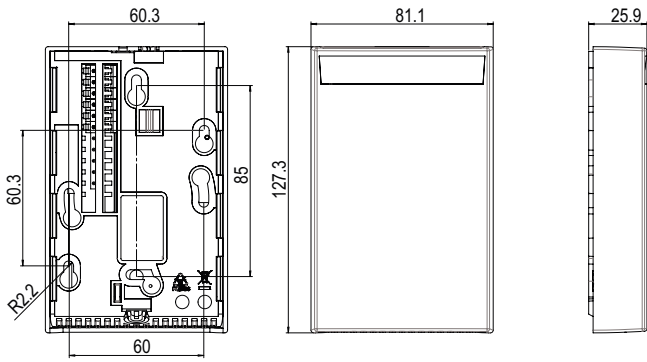
Supply voltage	18 ... 35 VDC 24 VAC ±20 % 50/60 Hz
Max. current consumption at 18 VDC	GMW84 models: 70 mA Other models: 45 mA
Max. power consumption at 30 VAC	GMW83 models: 0.7 W GMW86 models and GMW88: 1 W GMW84 models: 1.2 W
Outputs	4 ... 20 mA and/or 0 ... 10 V
Current loop resistance (4 ... 20 mA)	0 ... 600 Ω
Voltage output load resistance	Min. 10 kΩ
CO <sub>2</sub> output scale	0 ... 2000 ppm
Temperature output scale	0 ... +50 °C (+32 ... +122 °F)
Humidity output scale	0 ... 100 %RH
Passive temperature sensor (P models)	Pt1000 RTD
Temperature setpoint (T models)	10 kΩ potentiometer
Relay (S models)	1 pc, SPST-NO Max. 50 VDC / 50 VAC, 500 mA
CO <sub>2</sub> indicator LED levels (A model)	Flashing red: > 2000 ppm Red: 1200 ... 2000 ppm Yellow 800 ... 1200 ppm Green < 800 ppm

## Mechanical Specifications

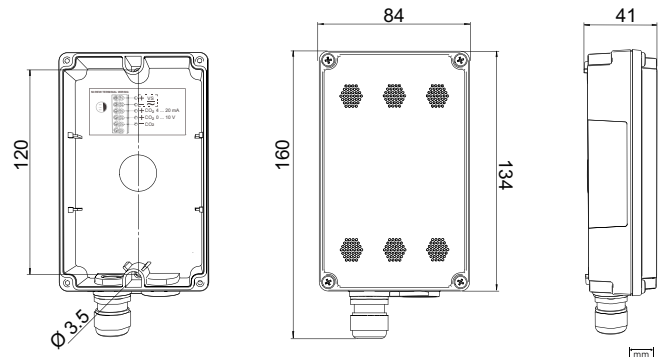
IP rating	IP30 GMW88 model: IP64
Housing material	ABS/PC UL-V0 approved GMW88 model: PC
Housing color	White (RAL9003)
Output connector	Screw terminal
Max. wire size	2 mm <sup>2</sup> (AWG14)
Weight	Plain and LED version: 114 g (4.02 oz) Display version: 124 g (4.37 oz) GMW88: 160 g (5.64 oz)

## Spare Parts and Accessories

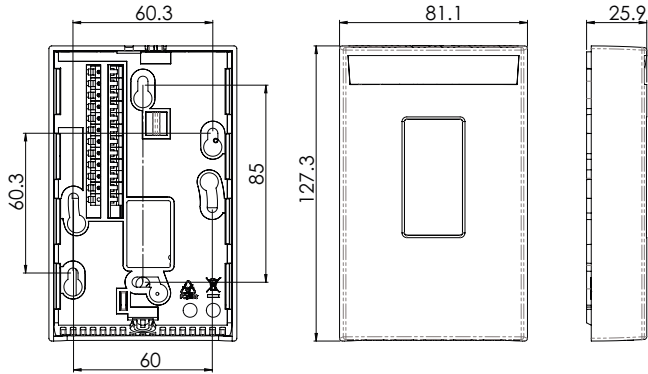
CO <sub>2</sub> module	GM10SP80
INTERCAP® sensor	15778HM



GMW83, GMW83A, GMW83RP, GMW84, GMW84S and GMW86P Dimensions (in mm)



GMW88 Dimensions (in mm)



GMW83D and GMW83DRP Dimensions (in mm)