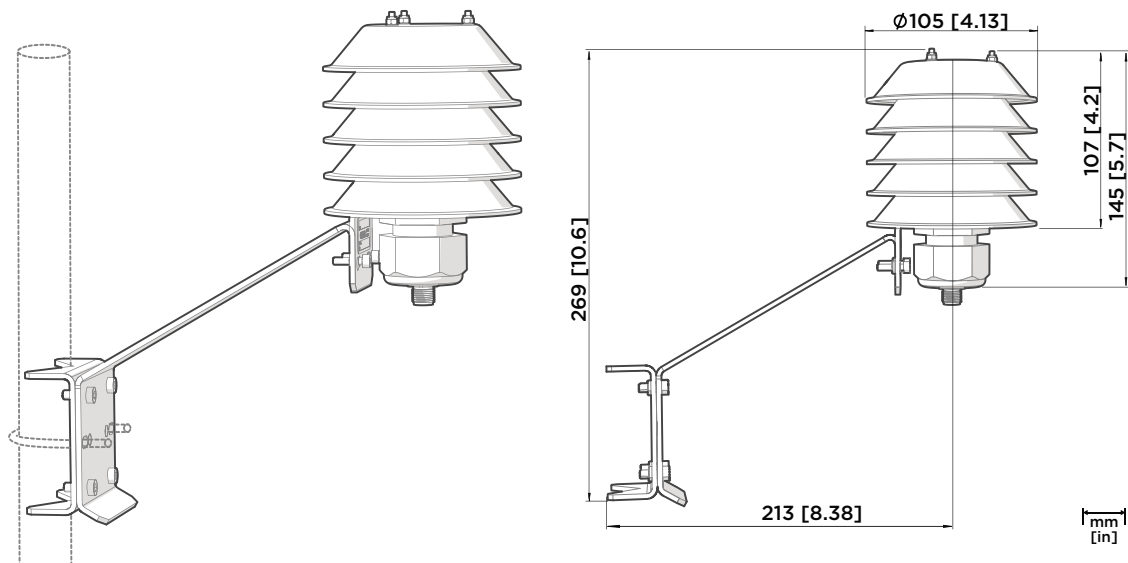


# Quick Guide

## DTR250A Radiation Shield Installation Kit Pole Mast Installation



### DTR250 Radiation Shield Pole Mast Installation

The optional DTR250A radiation shield installation kit (Vaisala order code: DTR250A) for Vaisala CARBOCAP® Carbon Dioxide Probe GMP252 protects the probe from solar radiation and precipitation in outdoor installations. The DTR250A installation kit includes the DTR250 radiation shield and a pole mounting kit (pole mounting kit and radiation shield also available as separate items).

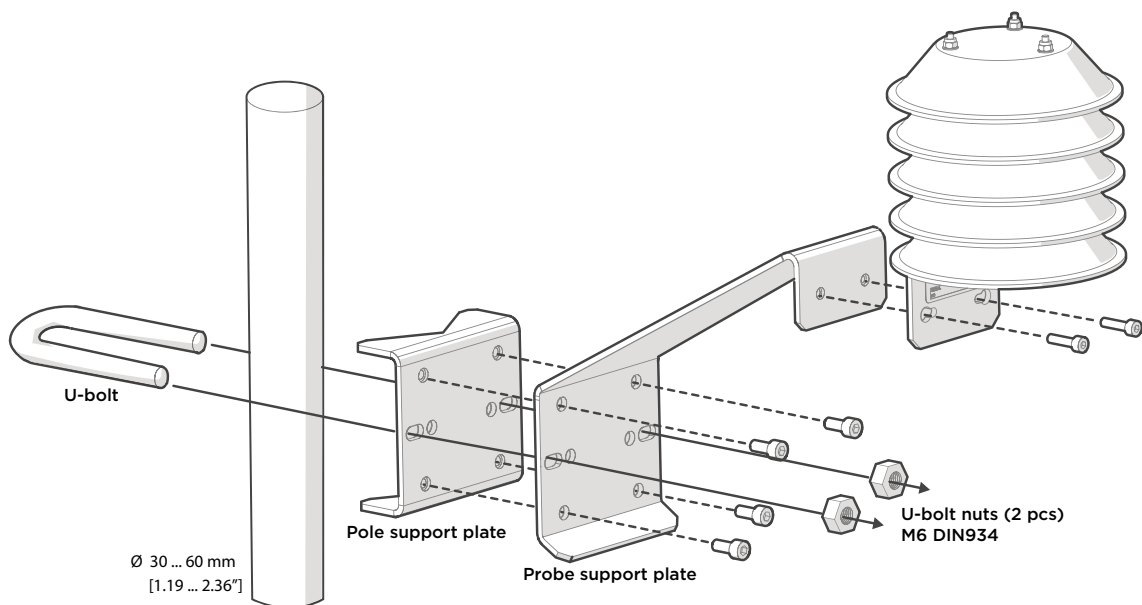


Figure 1 Installing DTR250 Radiation Shield with Pole Mounting Kit



PUBLISHED BY  
Vaisala Oyj  
Vanha Nurmiärväntie 21  
FI-01670 Vantaa, Finland  
Phone: +358 9 8949 1  
© Vaisala 2017

All rights reserved. Any logos and/or product names are trademarks of Vaisala or its individual partners. Any reproduction, transfer, distribution or storage of information contained in this document is strictly prohibited. All specifications — technical included — are subject to change without notice.

**VAISALA**

To install the GMP252 probe with the radiation shield and pole mounting kit (see [Figure 1 \(page 1\)](#)):

- ▶ 1. Place the U-bolt on the pole mast (diameter 30 ... 60 mm (1.18 ... 2.36")) to the correct installation height and push the ends of the U-bolt through the pole support plate.
2. Place the probe support plate on the pole support plate and tighten the 2 U-bolt nuts (M6 DIN934).
3. Attach the probe support plate onto pole support plate with 4 screws (M5x12 DIN912). Check that the U-bolt attaches the support plates firmly to the pole.
4. Loosen the threaded gland of the radiation shield by a couple of turns.
5. Insert the probe into the shield until it meets the top of the shield (only the connector of the probe remains visible) and screw the threaded gland shut.
6. Mount the probe and shield onto the probe support plate with 2 screws (Ø 7 mm) so that the connector of the probe points directly downwards.

Table 1 Specifications

Property	Specification
Material	<ul style="list-style-type: none"> <li>• DTR250 Radiation Shield: Radiation-resistant polycarbonate (PC)</li> <li>• Pole mounting kit: Aluminum</li> </ul>
Weight	<ul style="list-style-type: none"> <li>• Radiation shield: 286 g</li> <li>• Radiation shield + GMP252 probe: 344 g</li> <li>• Pole mounting kit: 300 g</li> <li>• Radiation shield with GMP252 probe and pole mounting kit: 644 g</li> </ul>
Chemical tolerance (cleaning)	<ul style="list-style-type: none"> <li>• DTR250 Radiation Shield:               <ul style="list-style-type: none"> <li>• Alcohol-based cleaning agents (for example, ethanol and IPA)</li> <li>• For other cleaning chemicals, verify compatibility with polycarbonate before use</li> </ul> </li> </ul>