

CAB100A Wiring Diagrams

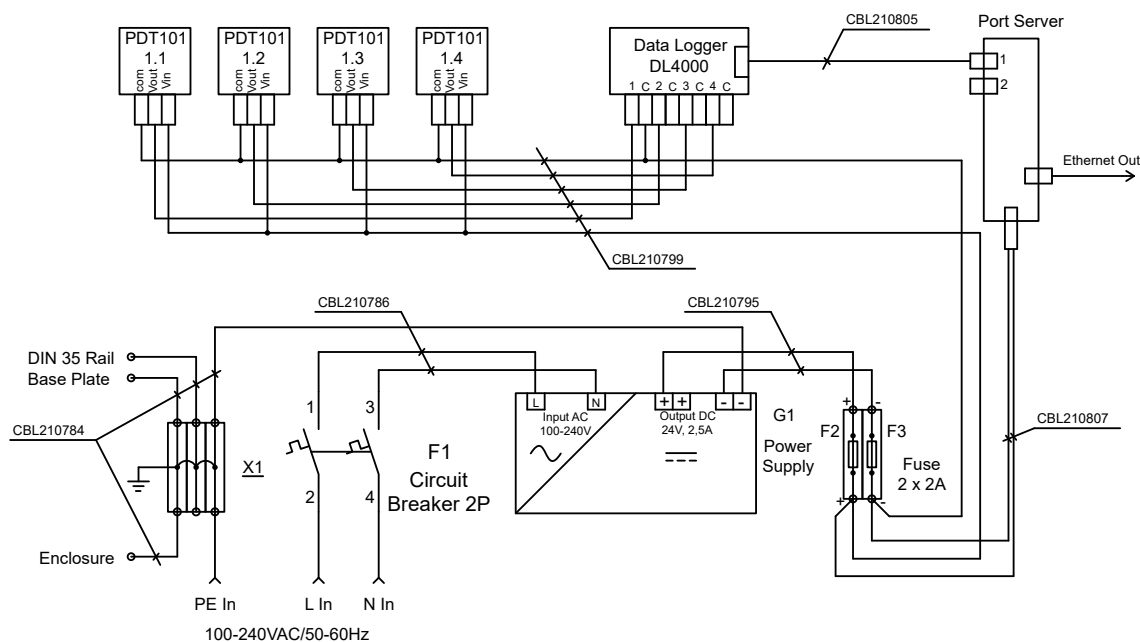


Figure 1 Wiring Diagram for CAB100A PDT101 Voltage Model with Serial Port Server and 24 VDC Power Supply



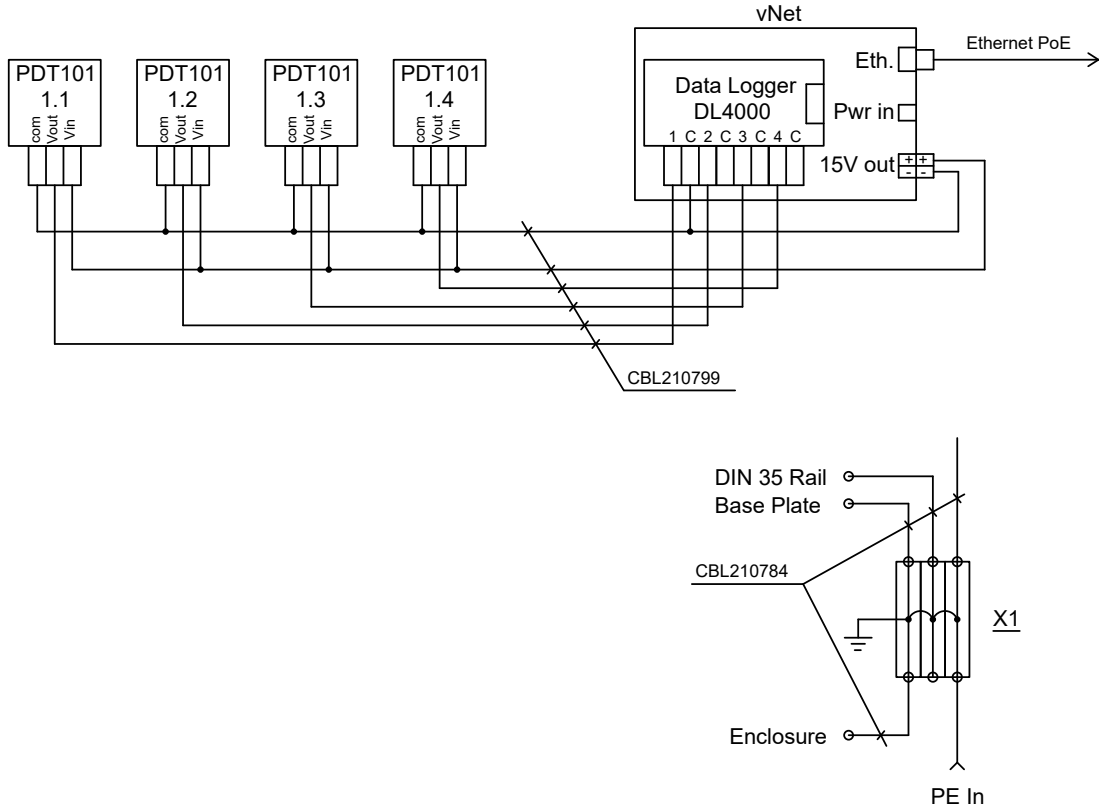


Figure 2 Wiring Diagram for CAB100A PDT101 Voltage Model with vNet PoE

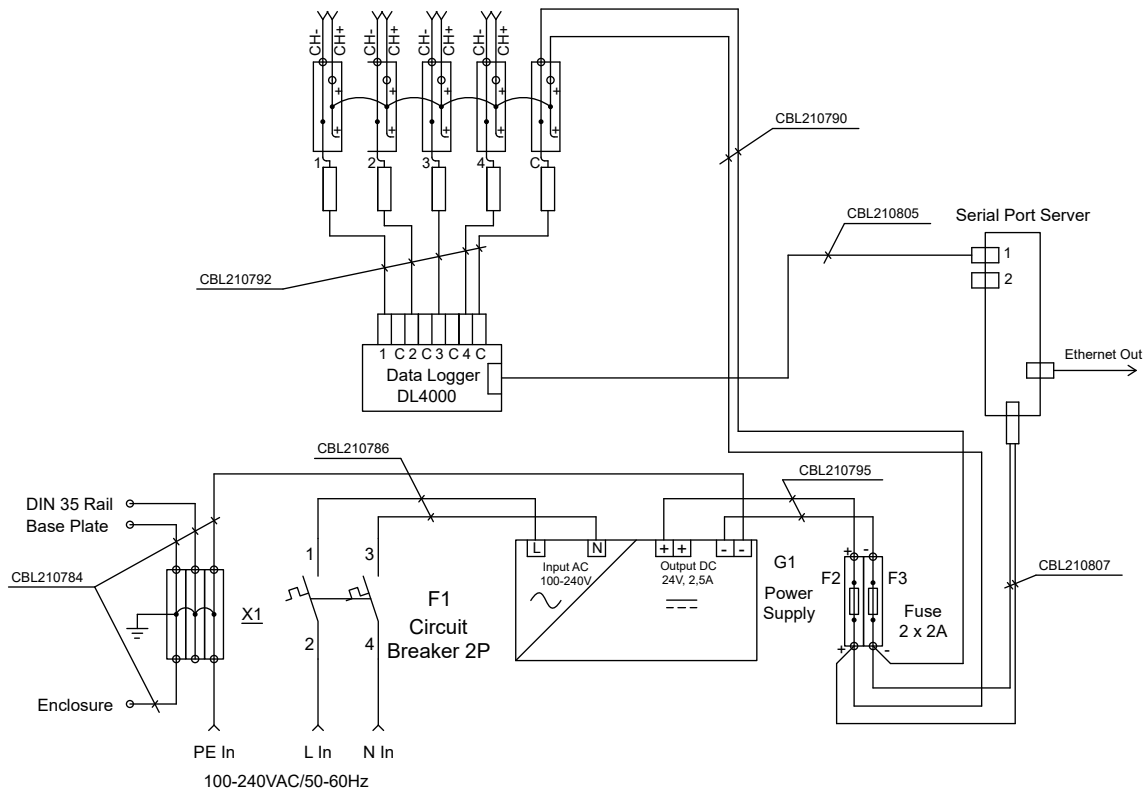


Figure 3 Wiring Diagram for CAB100A Analog Channel Model with Serial Port Server and 24 VDC Power Supply

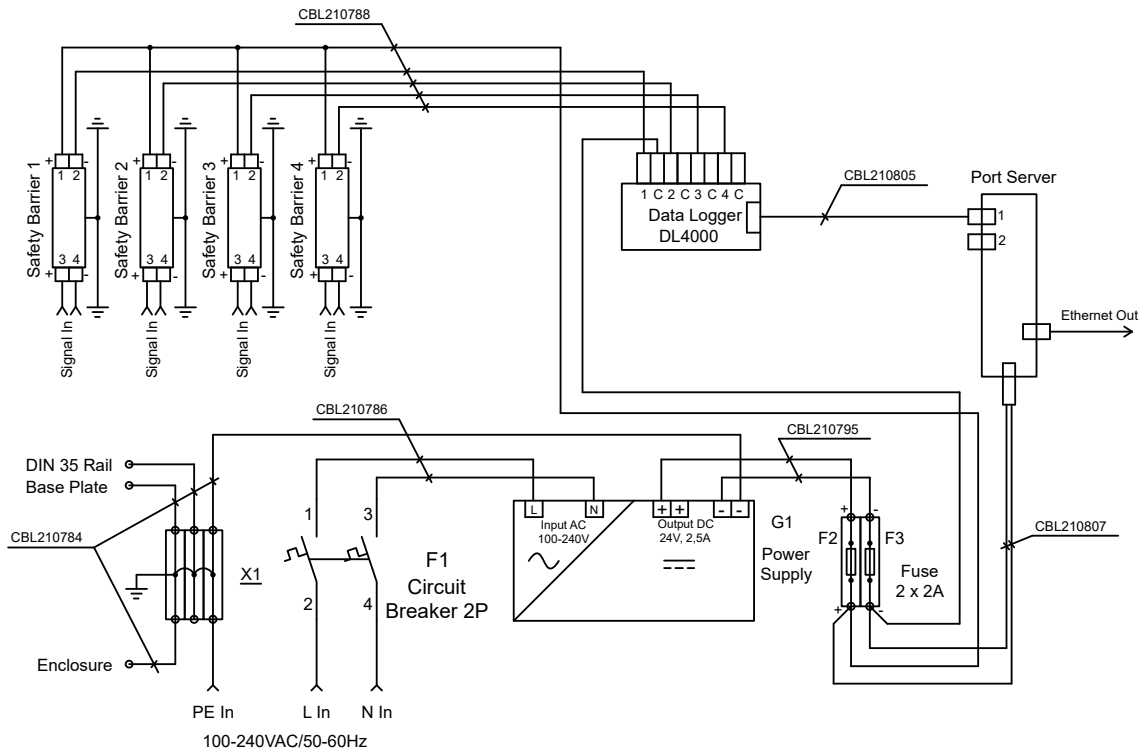


Figure 4 Wiring Diagram for CAB100A Safety Barrier Model with Serial Port Server and 24 VDC Power Supply

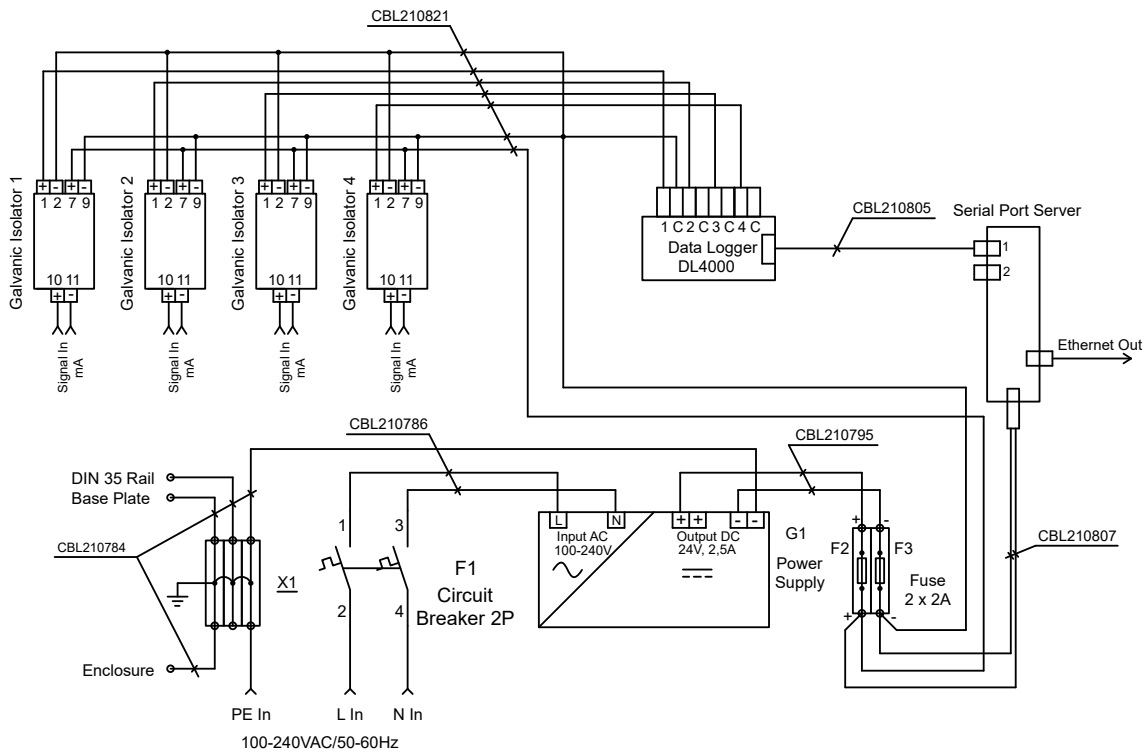


Figure 5 Wiring Diagram for CAB100A Galvanic Isolator Model with Serial Port Server and 24 VDC Power Supply

CAB100B Wiring Diagrams

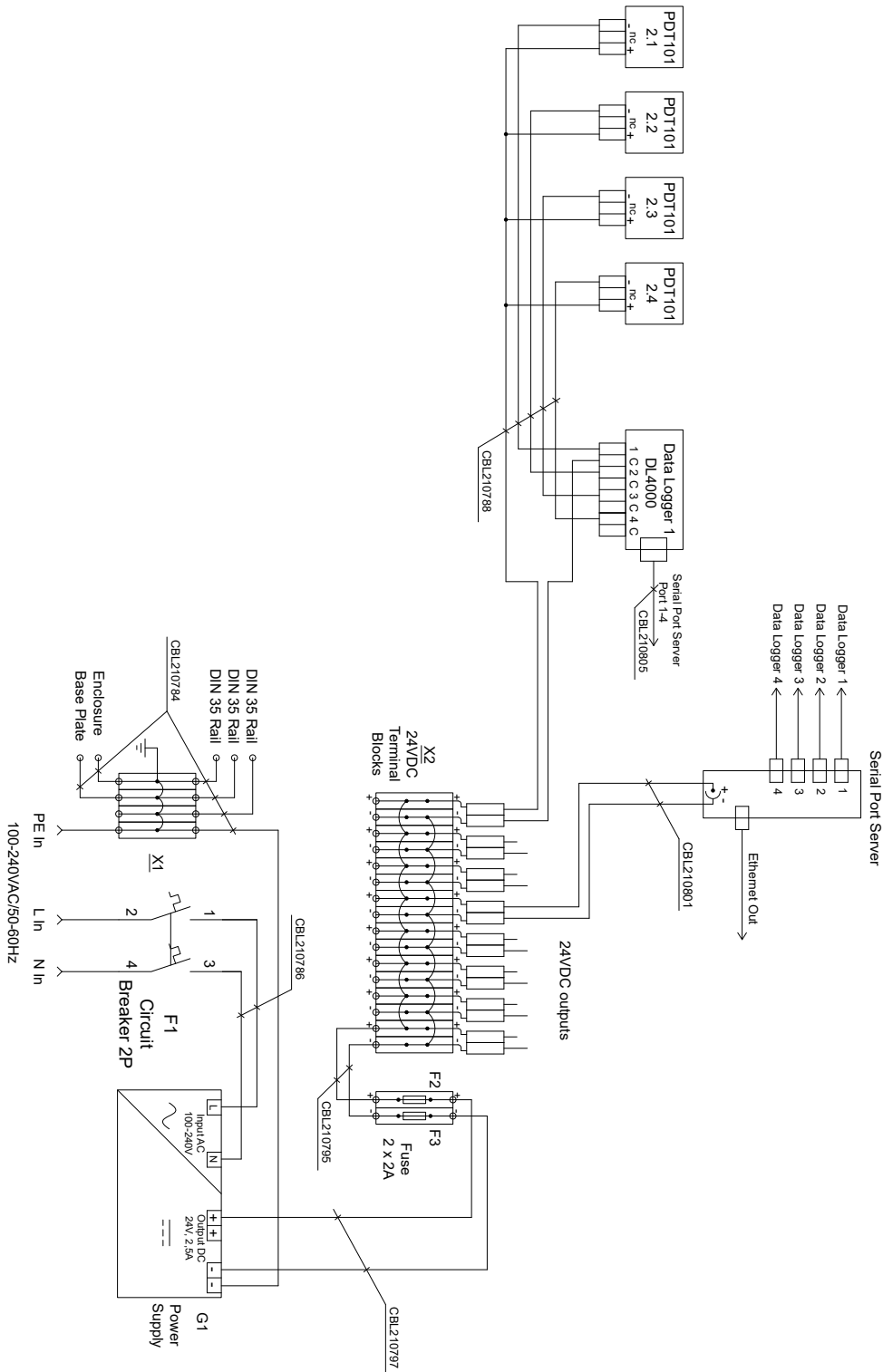


Figure 6 Wiring Diagram for CAB100B PDI101 Model

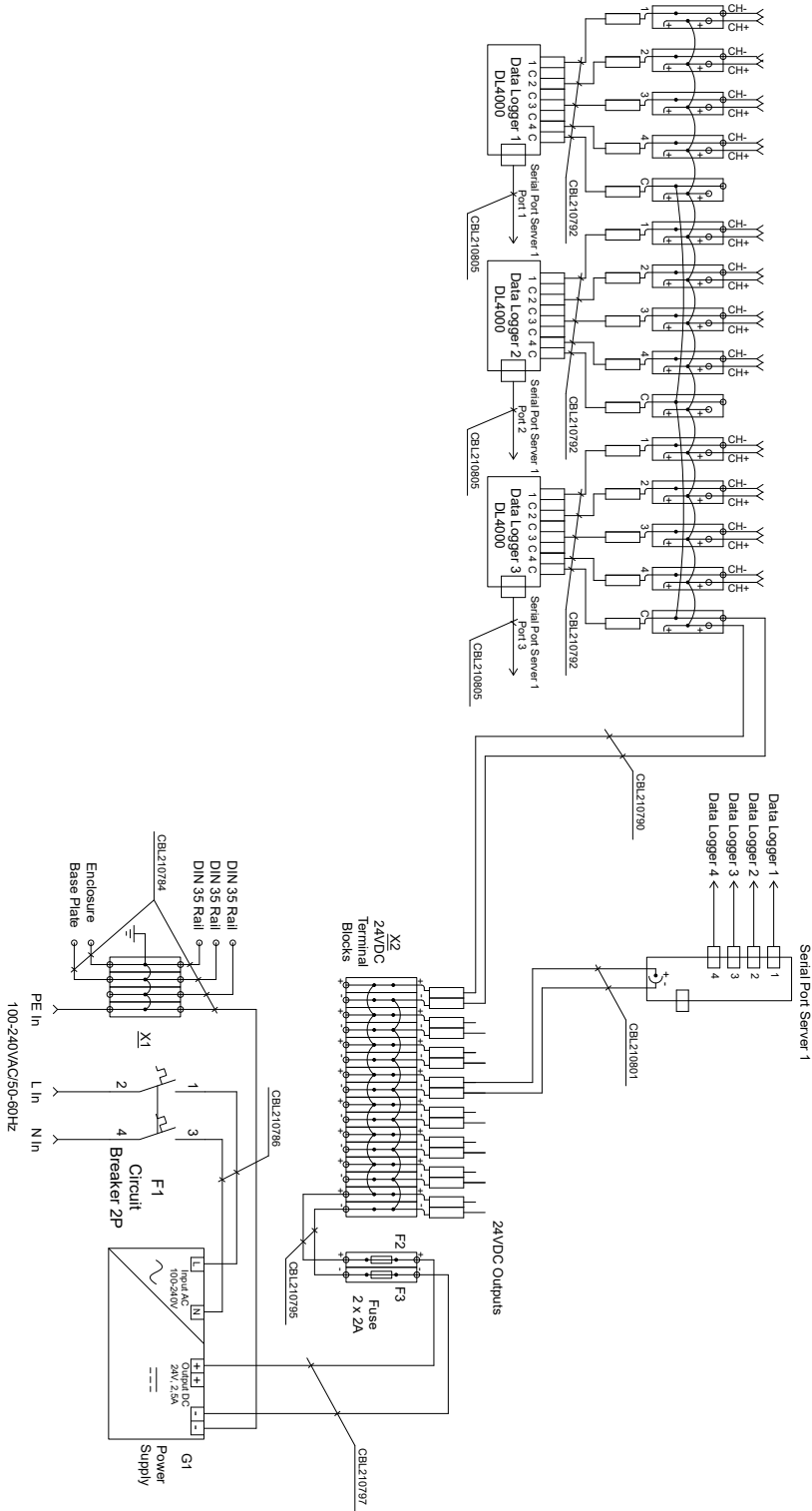


Figure 7 Wiring Diagram for CAB100B Analog Channel Model

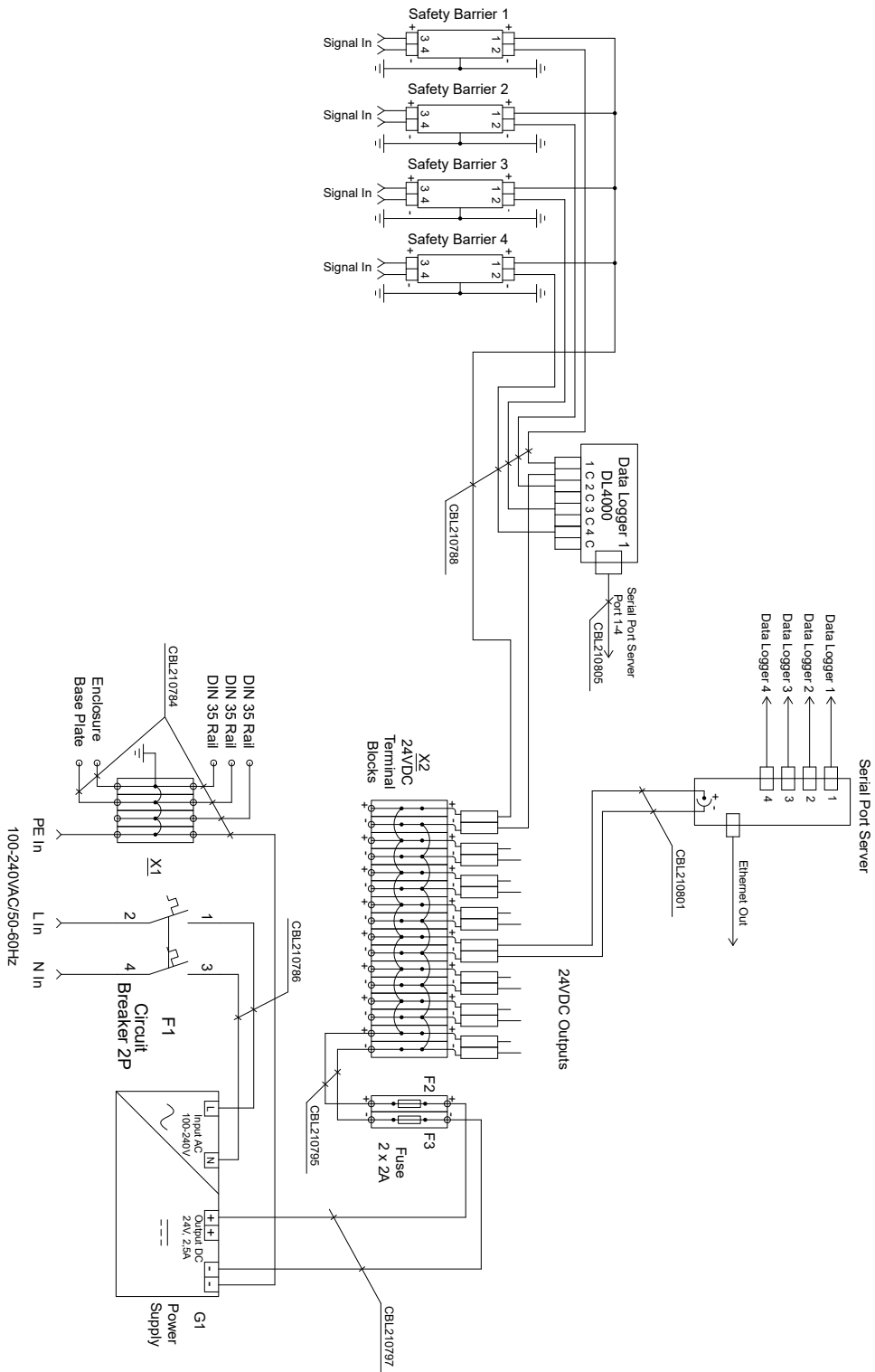


Figure 8 Wiring Diagram for CAB100B Safety Barrier Model

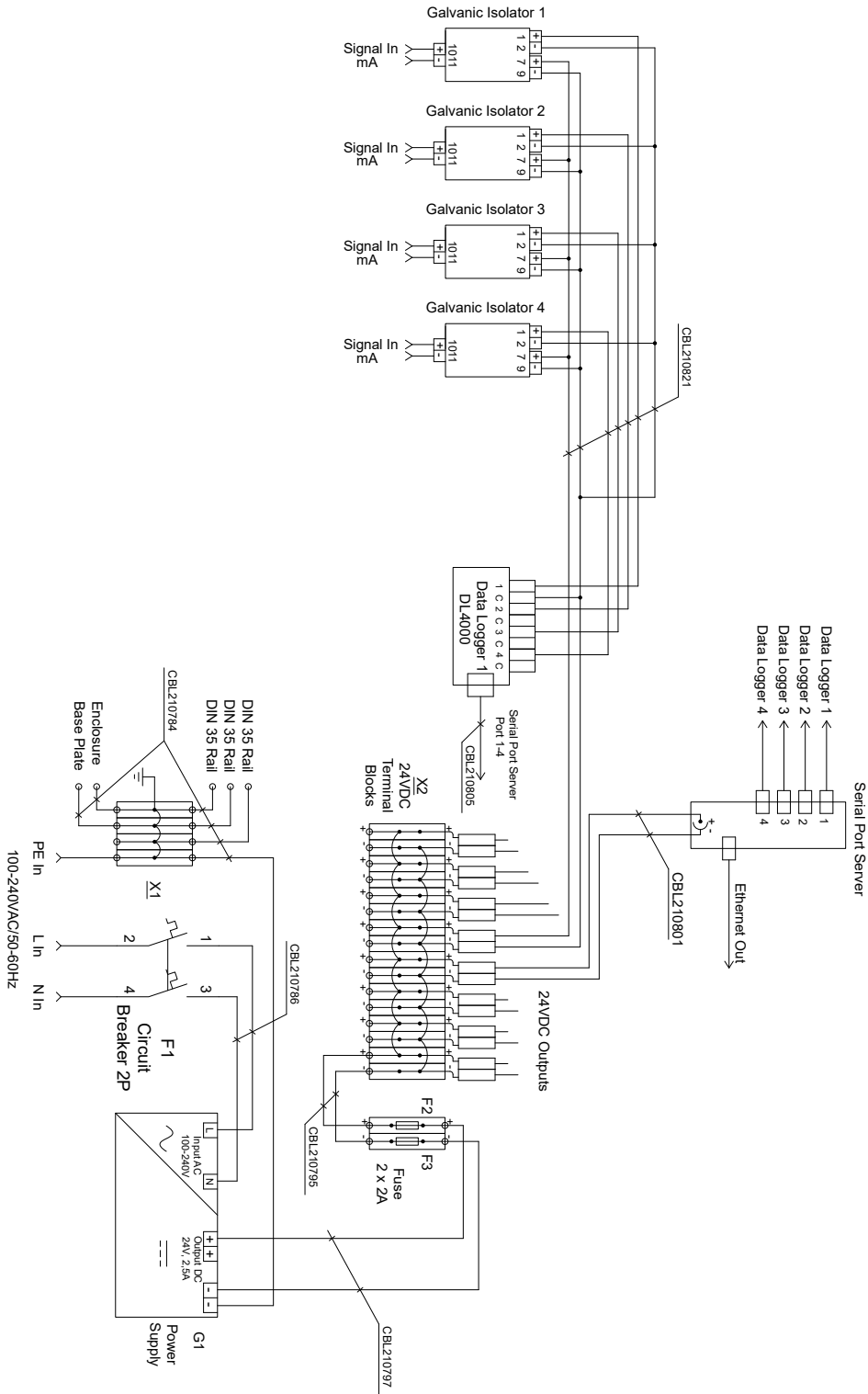


Figure 9 Wiring Diagram for CAB100B Galvanic Isolator Model