



Air Quality Transmitter AQT400 Series

for Measuring Pollution Gases and Particles



Features

- Measures four most common urban air pollutants: NO₂, SO₂, CO, and O₃
- Intelligent algorithms that compensate for environmental conditions and for the aging of the sensor element
- Compact design; easy to deploy in the field
- Low power consumption (typically 0.5 W)
- Wireless Internet connection with Vaisala Multi-Observation Gateway MOG100
- RS-232 and RS-485 interfaces for local connectivity (such as Modbus® support)
- Easy integration and open API

Vaisala Air Quality Transmitter AQT400 Series measures the pollution content of ambient air. The series consists of two products, AQT420 and AQT410.

Applications

- Urban air quality networks
- Industrial emission monitoring
- Safety monitoring
- Roadside monitoring
- Building automation
- Air quality research

New Value in Air Quality Measurements

AQT400 series revolutionizes air quality measurements. It offers totally new value for money by providing a near reference measurement performance.

With default configuration, AQT420 and AQT410 measure the most common gaseous pollutants: nitrogen dioxide (NO₂), sulfur dioxide (SO₂), carbon monoxide (CO), and ozone (O₃). In addition to all this, AQT420 also measures particulate matter (PM_{2.5} and PM₁₀) in the ambient air.

The measurement performance of AQT400 series is based on proprietary advanced algorithms that enable parts per billion (ppb) measurements at an affordable price by using electrochemical sensors. The algorithms compensate for the impact of ambient conditions and aging on the sensor elements and remove the need for costly gas sampling and maintenance equipment.

Easy to Deploy in Networks

AQT400 series is specifically designed for air quality monitoring networks in urban areas, road networks, or around industrial sites and transportation hubs. Thanks to its small weight and compact size, it is ideally suited for deployment even in large air quality networks. The measurement data is sent wirelessly to a web-based database with a gateway solution or is available locally through a serial interface. Depending on local conditions, AQT400 series device has a maintenance and calibration interval of 12 ... 24 months.

Technical Data

Gas Measurement Performance

Gas	Range	Detection Limit	Accuracy in Field Conditions ¹⁾
NO ₂	2000 ppb	5 ppb	±25 ppb
O ₃	2000 ppb	5 ppb	±60 ppb
CO	10 000 ppb	10 ppb	±200 ppb
SO ₂	2000 ppb	5 ppb	±50 ppb

¹⁾ 90 % confidence interval in comparing with reference instrument, includes T and %RH dependence in typical field conditions and sensor drift during calibration interval. Electrochemical cell replacement interval 12–24 months, depending on local conditions.

Particle Measurement Performance

Particle counter channels	PM _{2.5} and PM ₁₀
Particle diameter range	0.3 ... 10 µm (spherical equivalent)
Sampling time	60 s
Sampling interval	10 min
Sample flow rate	0.9 SLM
Measurement range	PM _{2.5} : 0 ... 2000 µg/m ³ PM ₁₀ : 0 ... 5000 µg/m ³
Measurement resolution	0.1 µg/m ³

Humidity, Temperature and Pressure Measurement Performance

Humidity accuracy	0 ... 90 %RH: ±5 %RH 90 ... 100 %RH: ±8 %RH
Humidity resolution	0.1 %RH
Temperature accuracy for sensor element at +20 °C (+68 °F)	±0.3 °C (0.17 °F)
Temperature resolution	0.1 °C
Pressure accuracy	±10 hPa
Pressure resolution	1 hPa
Ambient condition measurements indicative primarily for compensation purposes	

Operating Environment

Operating temperature	-30 ... +40 °C (-22 ... +104 °F) Limited performance: -40 ... +50 °C (-40 ... +122 °F)
Operating humidity	15 ... 95 %RH, non-condensing
Operating pressure	800 ... 1200 hPa
EMC compliance	EN/IEC 61326-1 EN 55032 Class B
IP rating	IP65

Inputs and Outputs

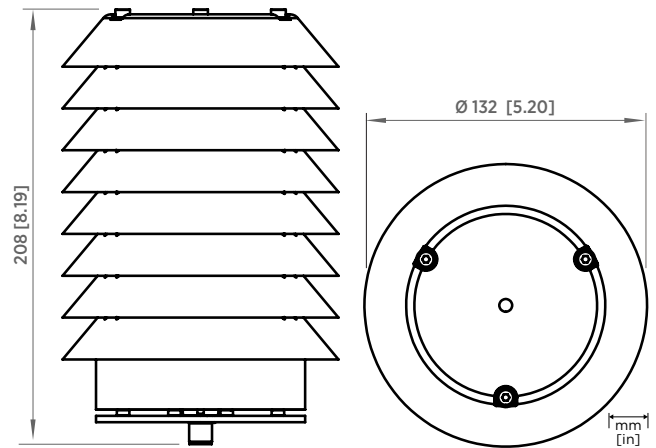
Operating voltage	8 ... 30 VDC
Power consumption	AQT420: • Typical: 0.7 W • Maximum: 2 W AQT410: • Typical: 0.5 W • Maximum: 1 W

Data Connection Specifications

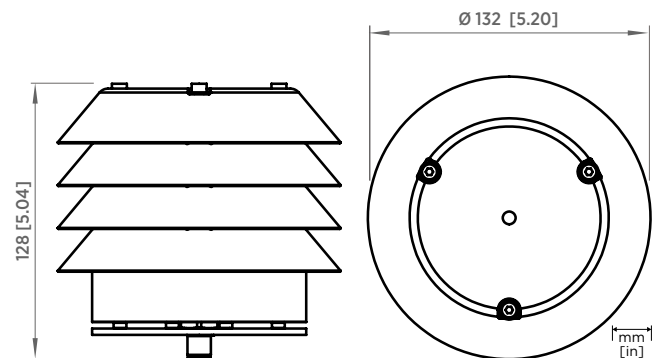
Data protocols	Modbus® ASCII Modbus® RTU ASCII CSV
Serial data interface	RS-485
Maintenance interface	RS-232

Mechanical Specifications

Dimensions (H × Ø)	AQT420: 208 × 132 mm (8.19 × 5.20 in) AQT410: 128 × 132 mm (5.04 × 5.20 in)
Weight	AQT420: 1.25 kg (2.76 lb) AQT410: 0.7 kg (1.52 lb)
Material, base module	Anodized aluminum
Material, radiation shield	Polycarbonate (PC)
Color, radiation shield	White (RAL9003)
Power and data connector	Standard 8-pin M12 male



AQT420 Dimensions



AQT410 Dimensions

Published by Vaisala | B211581EN-G © Vaisala 2019

All rights reserved. Any logos and/or product names are trademarks of Vaisala or its individual partners. Any reproduction, transfer, distribution or storage of information contained in this document is strictly prohibited. All specifications – technical included – are subject to change without notice.

VAISALA

www.vaisala.com