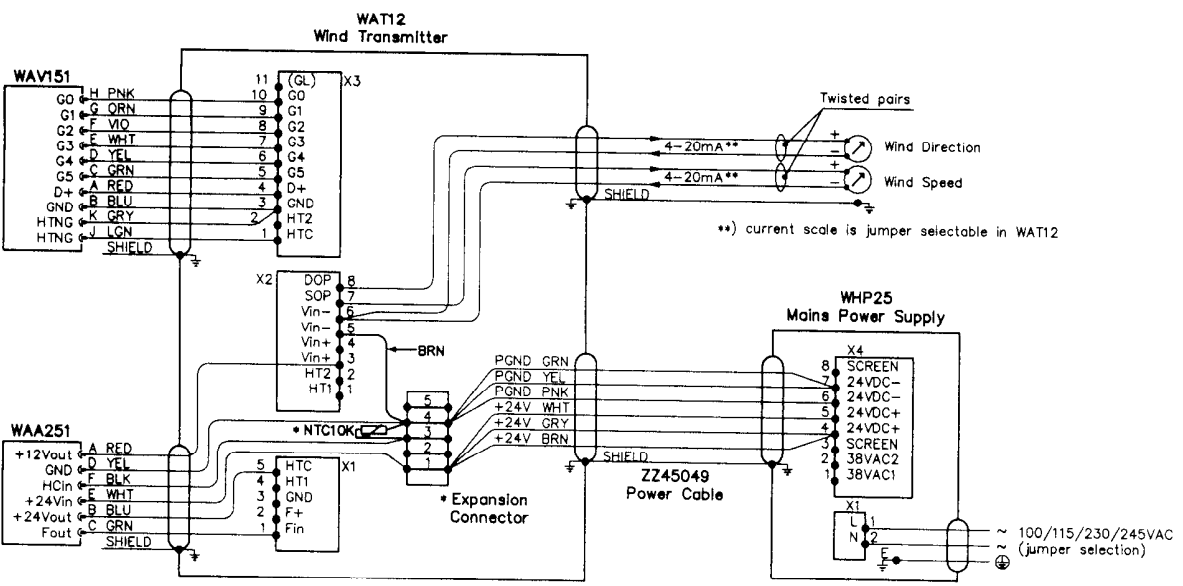
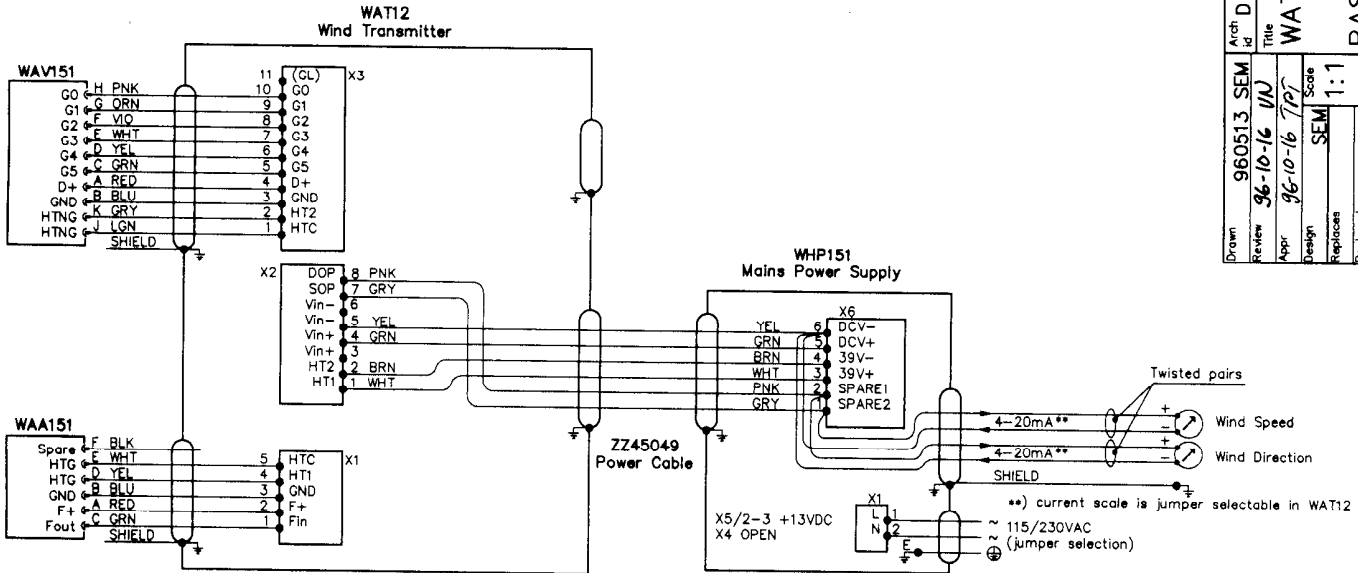
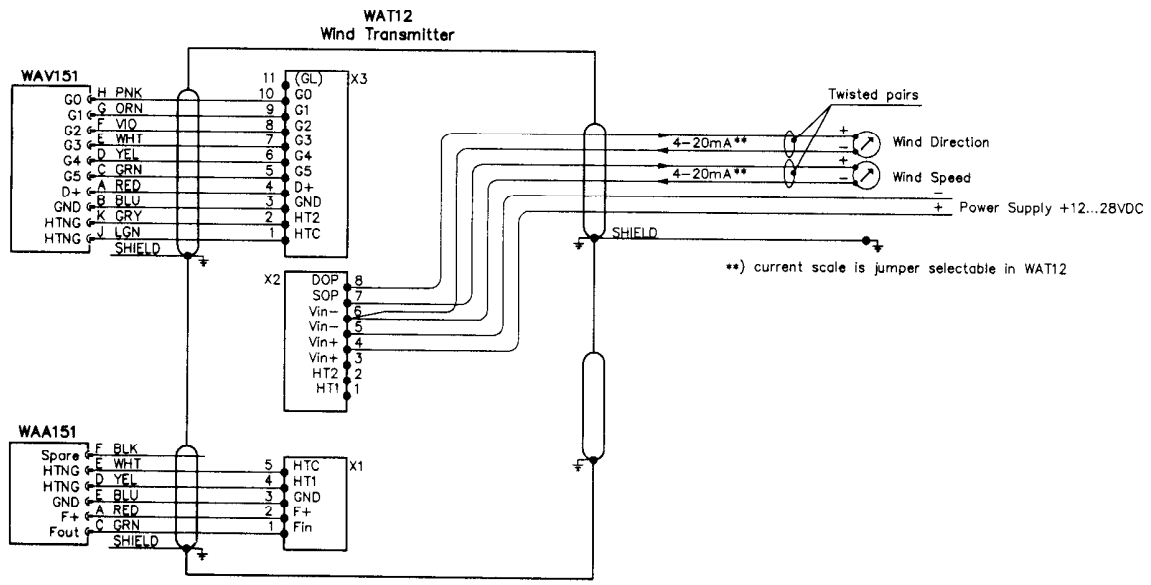


Date Appr _____
 Date Review _____
 Design _____
 Reason/ECO no _____
 Change _____
 Qty _____
 Ltr **Q**



*) Expansion Connector, NTC10K and discrete joining wires (RED, BLK, BRN) are included in the WAA251 accessories.

Cooperator's loc no	1/1	Sheet	1/1
Arch id	D	Serial no	960513 SEM
Title	WAT12 WIND TRANSMITTER		
Scale	1:1		
Drawn	96-10-16	Appr	96-10-16
Review	SEM	Design	SEM
Replaced		Replaced	
Project no	WA35173		
Rev	A		



BASIC WIRING OPTIONS