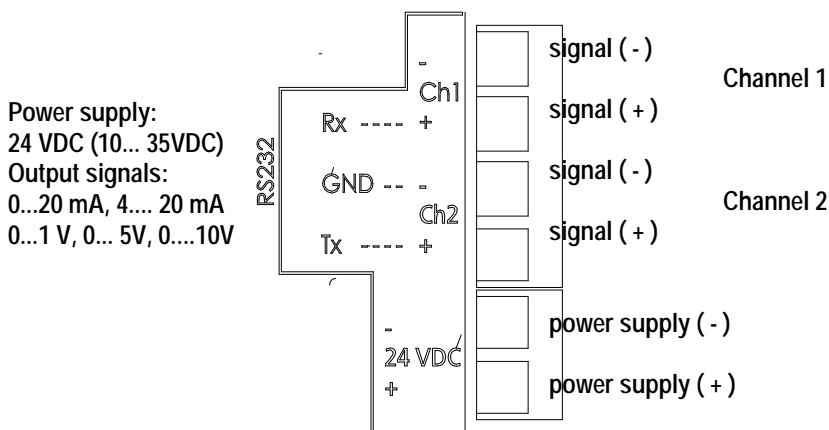


Vaisala HMT320 series humidity transmitters

Output quantities:	Relative humidity (%) and temperature, Optional calculated quantities: dewpoint temperature, absolute humidity, mixing ratio, wetbulb temperature, humid air volume/dry air volume, water vapor pressure, saturation water vapor pressure, enthalphy.
Operating voltage:	10...35 VDC
Two analog outputs: (channels 1 & 2)	0...20 mA / 4...20 mA / 0...1 V / 0...5 V / 0...10 V
Serial connections:	RS232C interface, Optional: RS485 and LonWorks®
Screw terminals:	max wire size 0.5 mm ² (AWG 20)

Wiring diagram



Network connections (RS485, LonWorks®)

RS485 4-wire

Data line	Terminal	
Shield	1	Iso GND
T+	2	A-
		TxD
T-	3	B+
R-	4	A-
		RxD
R+	5	B+

RS485 2-wire

Data line	Terminal	
Shield	1	Iso GND
R+	2	A-
		Bus
R-	3	B+

LonWorks®

Data line	Terminal	
Shield	1	Iso GND
Net B	2	2
		Net
Net A	3	1