

Vaisala HMM211 RH & T/Td module for environmental chambers

Output quantities: Relative humidity (%), temperature (°C/°F), dewpoint temperature (°C/°F)

Operating voltage:

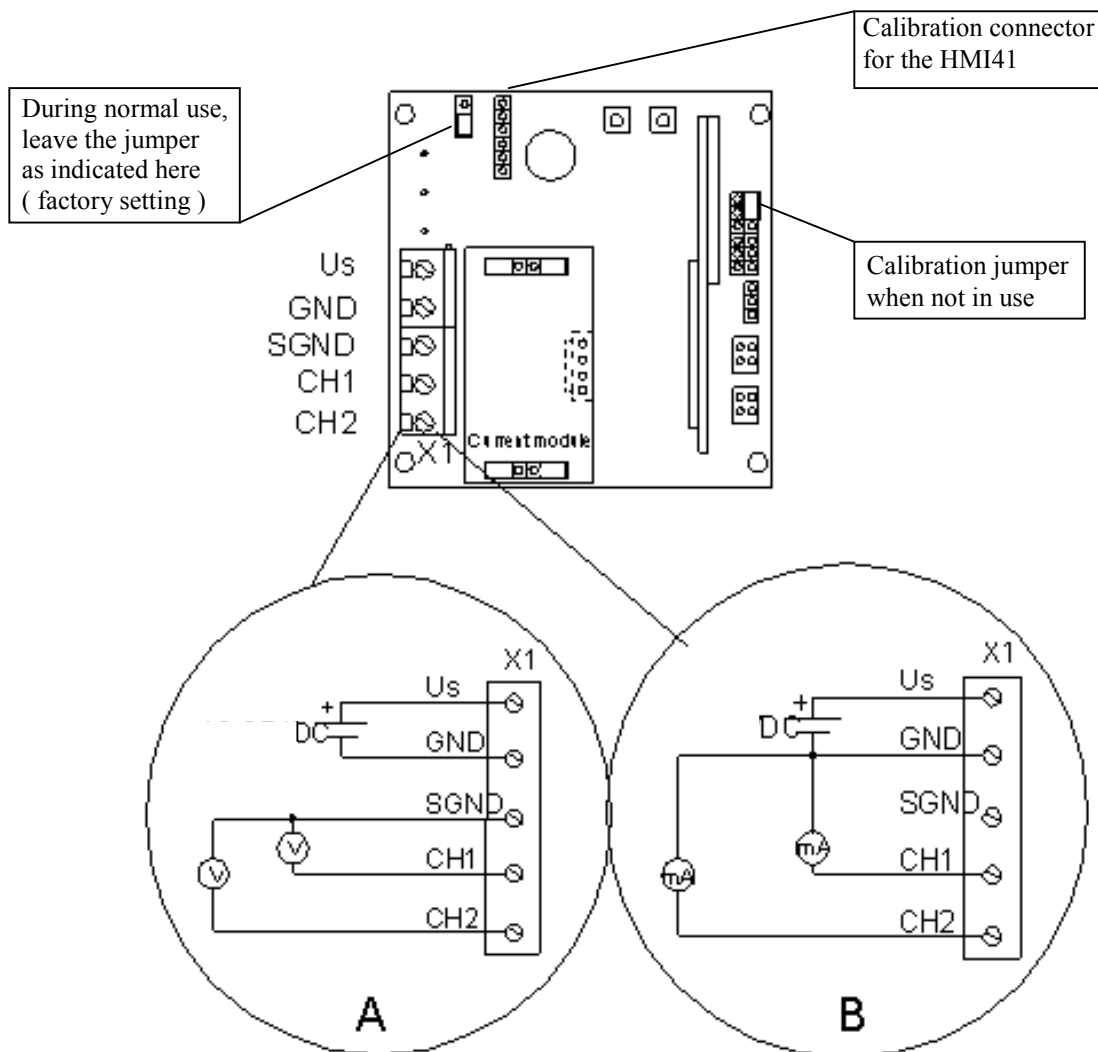
Output	DC	AC
0 - 1 V	10 - 35 V	9 - 24 V
0 - 5 V	4 - 35 V	12 - 24 V
0 - 10 V	19 - 35 V	16 - 24 V
0 - 20 mA ($R_L = 0 \Omega$)	10 - 35 V	11 - 24 V
4 - 20 mA ($R_L = 500 \Omega$)	20 - 35 V	17 - 24 V

AC - supply possible only without warming or re-gaining option

Two analog outputs: 0 - 1 V, 0 - 5 V, 0 - 10 V, 0 - 20 mA, (4 - 20 mA)

Screw terminals: 0.5...1.5 mm² wires

Wiring diagram



A = voltage output, B = with current module