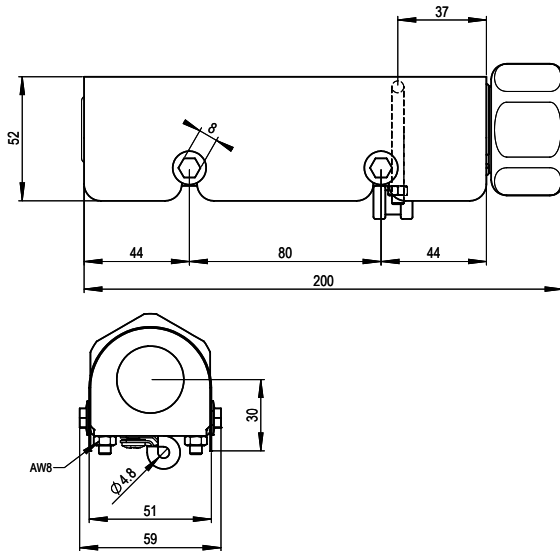
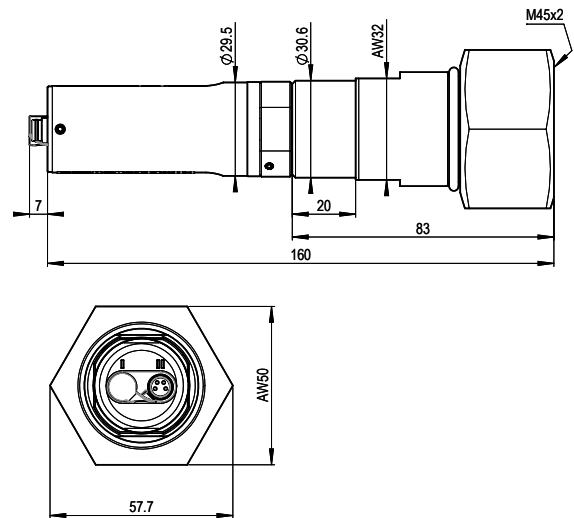


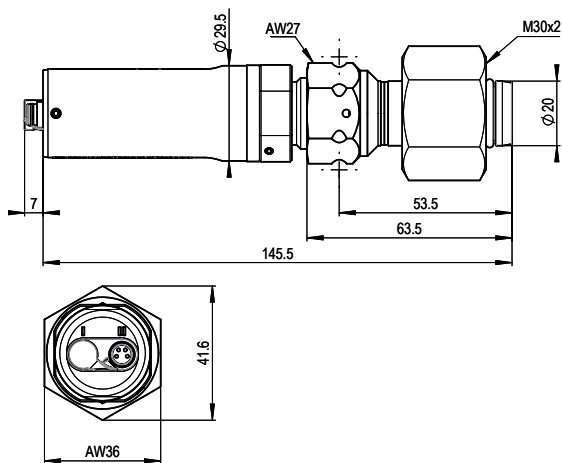
Dimensional Drawings of the DPT145 Multiparameter Transmitter



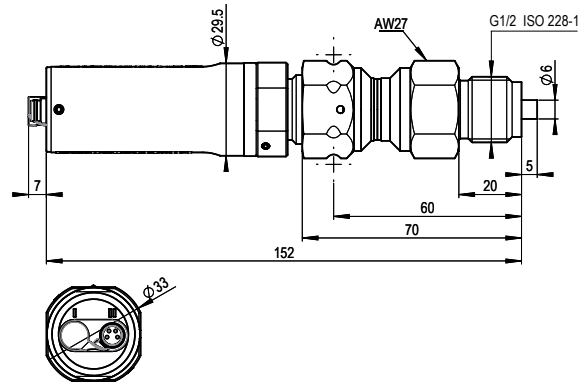
The DPT145 with the weather shield.



The DPT145 with the DILO DN20 connector.



The DPT145 with the ABB Malmkvist connector.



The DPT145 with the Alstom connector.